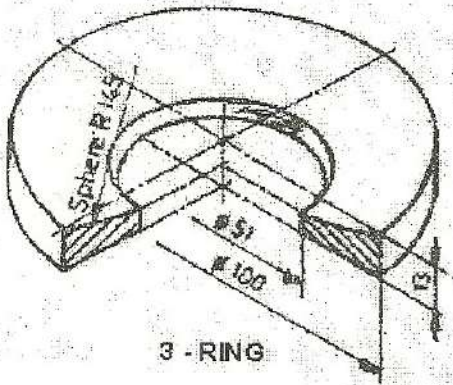
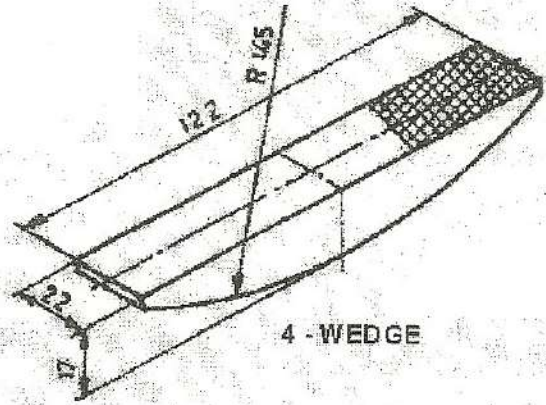


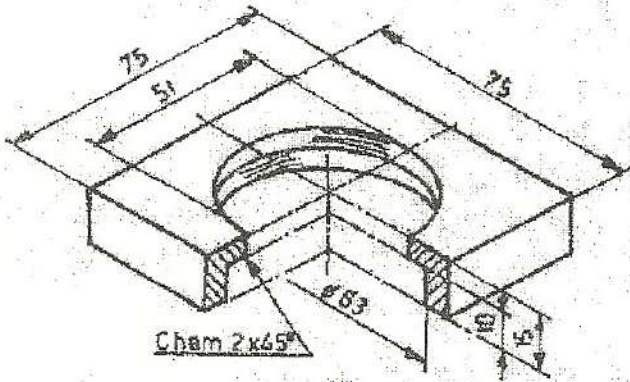
- Draw detail drawings of given parts and fully dimension them.
- Draw front and sectional side views of the assembly.
- Construct the parts list and complete the other information in the title block.



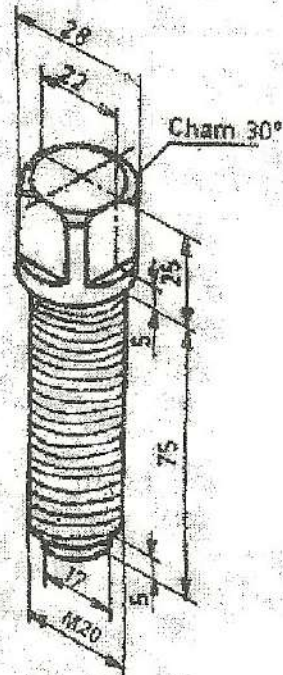
3 - RING



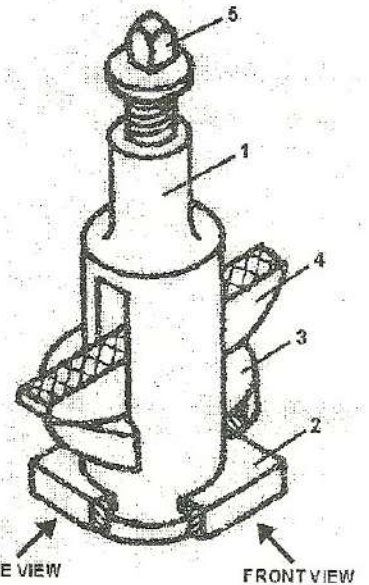
4 - WEDGE



2 - BLOCK

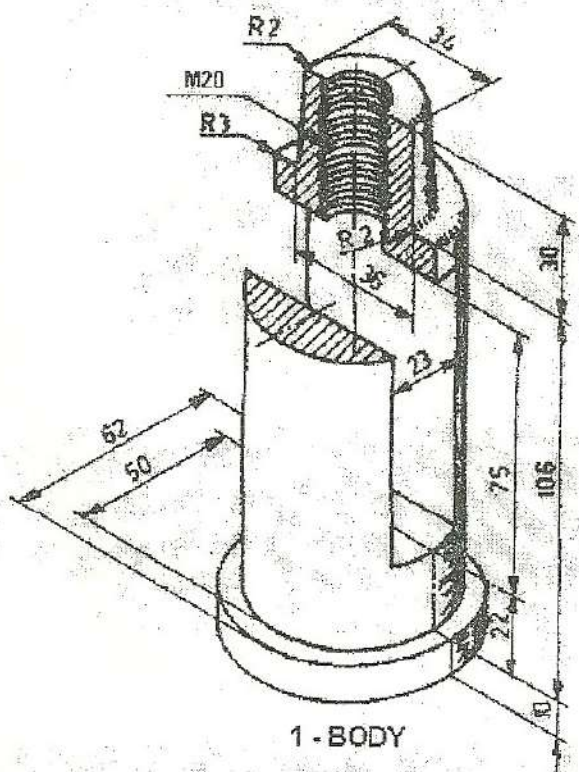


5 - SCREW



SIDE VIEW

FRONT VIEW



1 - BODY

TOOL POST

No.	Name	Qty	Material	Notes
1	Body	1	Cast Iron	Forging
2	Block	1	Cast Iron	Forging
3	Ring	1	Cast Iron	Forging
4	Wedge	1	Cast Iron	Forging
5	Screw	1	Cast Iron	M20