

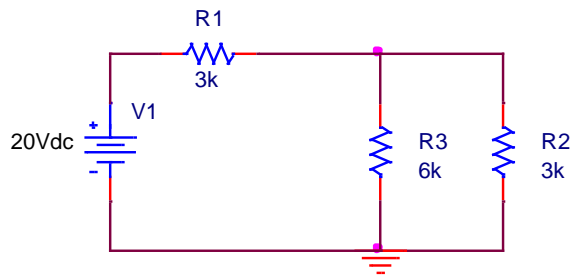
EXPERIMENT 7

PSPICE SIMULATION 1: BASICS OF PSPICE

OBJECTIVE: The object of the experiment is to learn the basics of PSPICE. Measuring current, voltage, power and resistance using PSPICE

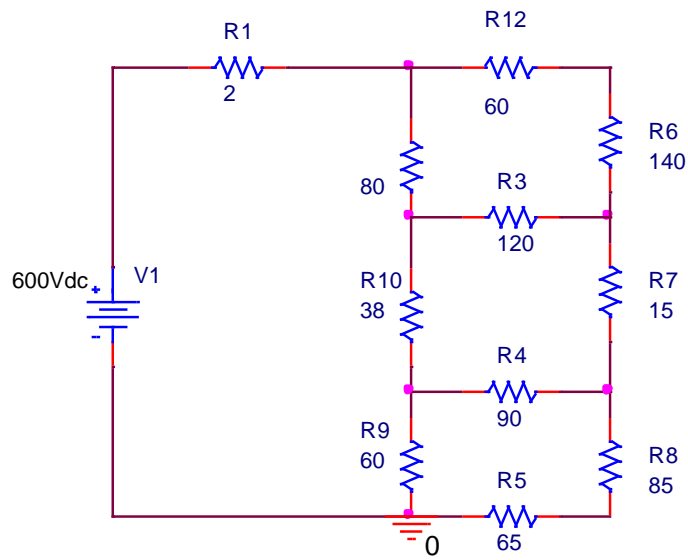
PRELIMINARY WORK

P1 Find voltage, current and power of all resistors using PSPICE. Verify the conservation of power. Comment on the results



	R1	R2	R3
V			
I			
P			

P2 Find voltage, current and power of all resistors using PSPICE. Verify the conservation of power



	R1	R2	R3	R4	R5	R6	R7	R8	R9	R10	R11	R12	V1
V													
I													
P													

P3 Using PSPICE obtain the I-V characteristics of

- a) 10 k Ω
- b) 40 k Ω
- c) Series combination of 10 k Ω and 40 k Ω
- d) Parallel combination of 10 k Ω and 40 k Ω