

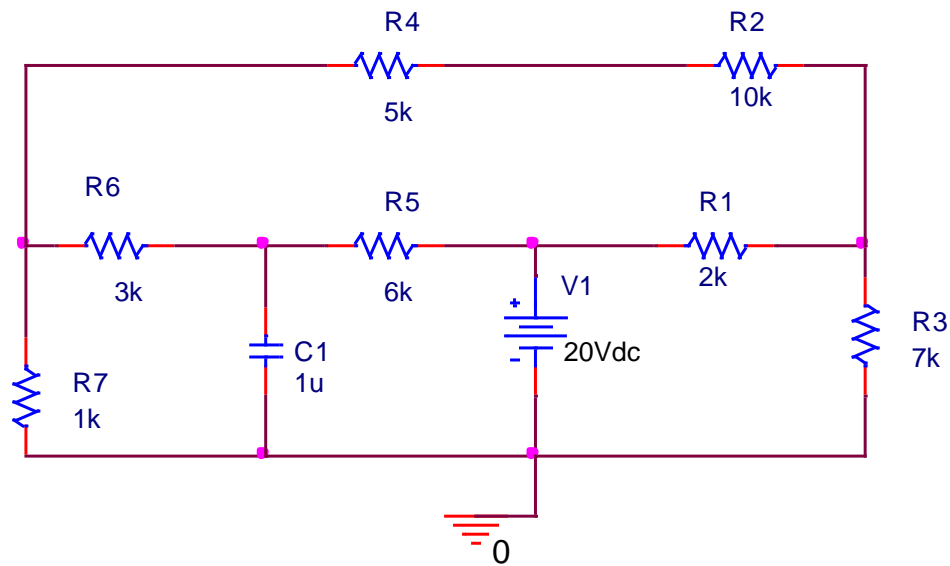
## EXPERIMENT 8

### PSPICE SIMULATION 2: NATURAL AND FORCED RESPONSE OF RLC CIRCUITS

**OBJECTIVE:** The object of the experiment is to simulate natural and forced response of RLC circuits.

#### EXPERIMENTAL WORK

**E1** Plot the Capacitor Voltage versus time. Initial condition on Capacitor is 3V



**E2** Initial Current on the inductor is 2mA. Plot the inductor current versus time.

