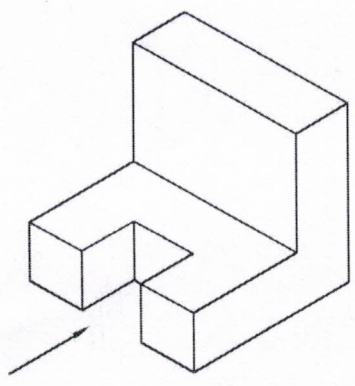
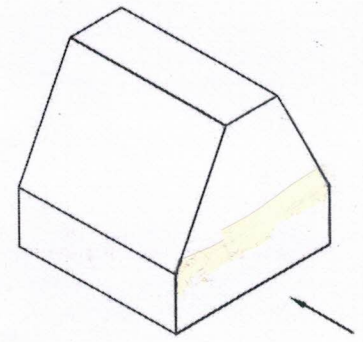


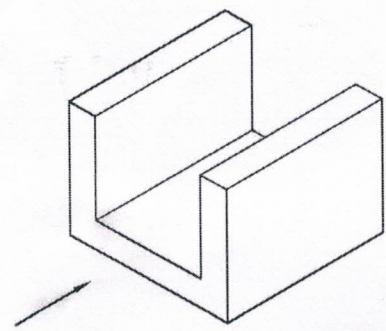
1



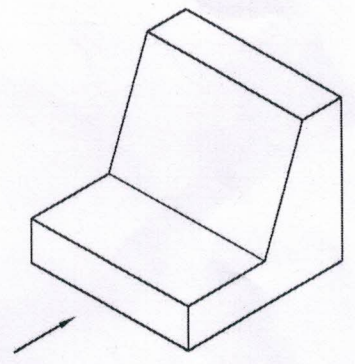
2



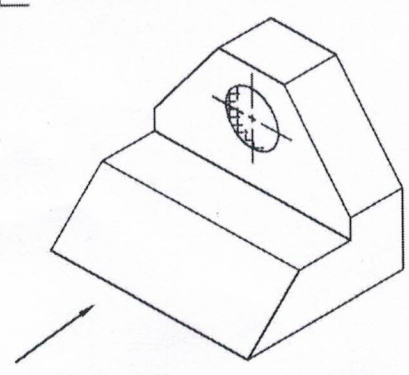
3



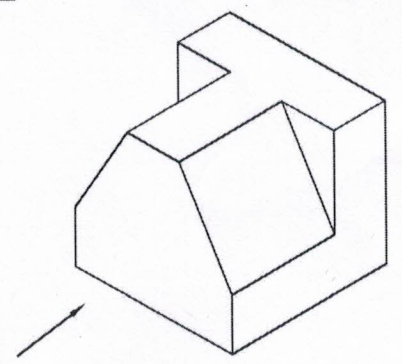
4



5



6



Draw three views of the objects

Drawn by		ENGINEERING DRAWING I	UNIVERSITY OF GAZIANTEP MECHANICAL ENG. DEPT.	
Date				
Control			Drawing No	
Scale				